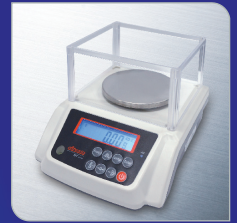




Large Display with Blue Backlight



Small Tray & Windshield for protection

# AHT SERIES

## High Precision Balance

The AHT Micro Weighing Scale weighs in small increments making it very accurate. Large high contrast blue backlight LCD display. Total of 8 Switchable Units available. Counting, Weighing, Percentage Function Modes. AHT can also connect to a PC or Printer. Ideal for hospital, pharmaceutical, & jewelry applications.

- High Accuracy
- Built-in Rechargeable Battery
- Total 13 Units available  
(g,ct,lb,oz,dr,GN,ozt,dwt,MM,tl.J,ti.T,tl.H,t)
- Counting, Weighing, Percentage Function Modes
- Auto Blue Backlight
- RS-232 Serial Interface  
(PC, Printer)
- Windshield Included

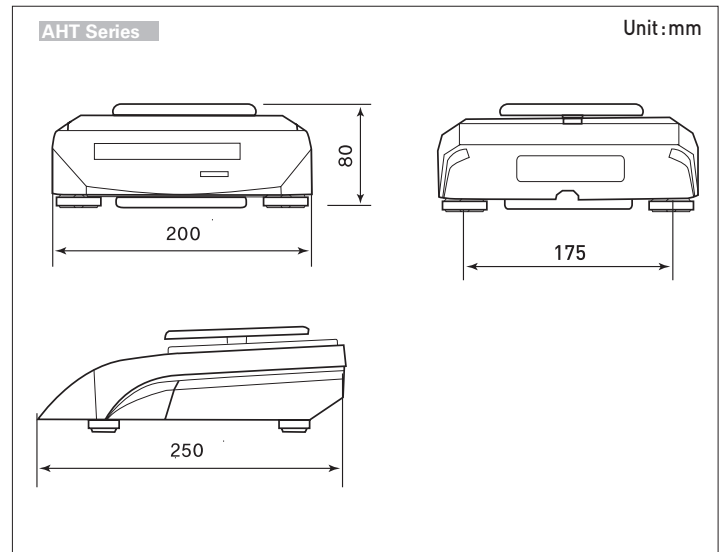


# AHT SERIES | High Precision Balance

## SPECIFICATIONS

Model	AHT	
Max. Capacity (g)	600	3000
Readability (g)	0.01	0.05
External Resolution	1/60,000	
Display Digit	7 Digits (Weight)	
Display Type	LCD with Backlight	
Operating Temp.	0°C~40°C	
Power	AC Adapter 12V, DC/800mA, Internal rechargeable lead acid batter	
Platter Size	600g: ø116 mm 3000g: 144mm(W) x 124mm(D)	
Dimensions	185 mm(W) x 245 mm(D) x 85 mm(H)	
Product Weight	1.4 kg	

## DIMENSIONS



## FEATURES

- High Accuracy
- Total 13 Units Available  
(g,ct,lb,oz,dr,GN,ozt,dwt,MM,tl.J,ti.T,tl.H,t)
- Counting, Weighing, Percentage Function Modes
- Auto Blue Backlight (80hrs Continuous Use)
- Built-in Rechargeable Battery
- RS-232 Serial Interface (PC, Printer)
- Wind Shield Included
- Overload Alarm Function
- Auto Power Off Function
- Auto Span Calibration & Auto Zero Tracking

## MODELS



# CAS

UNIT 8, NORTHLINK, 459 TUFNELL ROAD  
BANYO QLD 4014, AUSTRALIA  
TEL: +61 7 3267 7767 FAX: +61 7 3267 1818  
EMAIL: sales@cassscale.com.au  
[www.cassscale.com.au](http://www.cassscale.com.au)

Specifications are subject to change for improvement without prior notice.