



Rear Display



24 Direct PLU Keys & Soft-touch Keypad

# EB SERIES

## Retail Bench Scale

With the capacity ranging from 60kg to 150kg and variety of flexible applications, the EB series is an ideal weighing solution for any retail environment.

- Dual interval for better accuracy
- 24 direct PLU keys (Total: 200 PLUs)
- RS-232C Interface
- Ticket printer combination (optional)
- LCD display with blue backlight
- Rechargeable battery operation
- Auto power-off function
- Water-protected soft-touch keypad



**CAS**

# EB SERIES | Retail Bench Scale

## SPECIFICATIONS

Model	EB Series	
Max. Capacity (kg)	30/60	60/150
Readability (g)	10/20	20/50
Tare Range (kg)	-29.99	-59.98
External Resolution	1/3,000 (Dual internal)	
Internal Resolution	1/60,000	
Display Digit	6/6/6 (Weight/Unit price/Total)	
Display Type	LCD	
Operating Temp.	-10°C ~ 40°C	
Power	AC adapter DC 12V, Rechargeable Battery (6V, 5Ah)	
Battery Life	Approx. 200hrs (Backlight off) 12hr recharge time	
Dimensions (mm)	415(W) x 719(D) x 816(H)	
Platform Size (mm)	400(W) x 520(D)	
Product Weight (kg)	15.6	

## FEATURES

- 24 direct PLUs (Total 200 PLUs)
- 1/3,000 dual interval resolution for better accuracy
- Rechargeable battery operation (Max 200hours)
- RS-232C interconnecting interface
- LCD display with blue backlight
- Auto power-off function
- 4 digit LCD display
- Easy operation

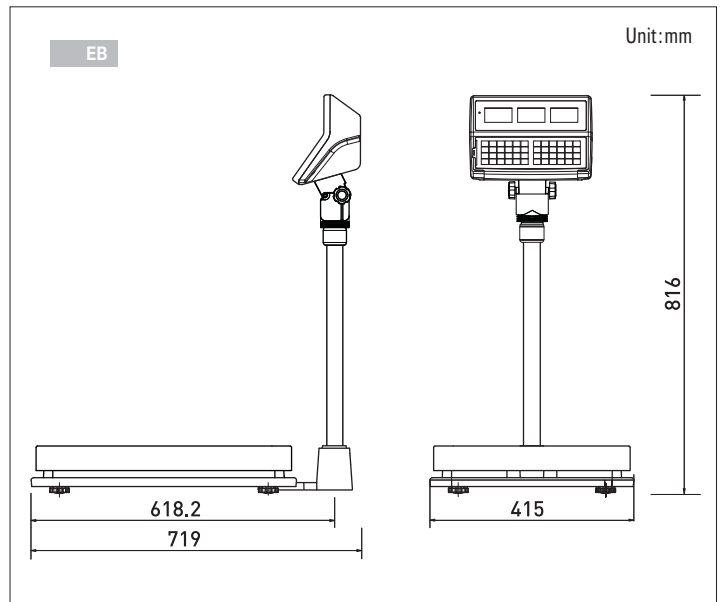
## STANDARD ACCESORIES

- AC adapter (12V)
- Dust protective skin cover

## OPTIONS

- DEP-50 Ticket Printer

## DIMENSIONS



## Ticket Printing (DEP-50 Printer)

EB series can be connected to a ticket printer using the built-in RS-232C serial port.



# CAS

UNIT 8, NORTHLINK, 459 TUFNELL ROAD  
BANYO QLD 4014, AUSTRALIA

TEL: +61 (0)7 3267 7767 FAX: +61 (0)7 32 67 1818

EMAIL: [sales@cassscale.com.au](mailto:sales@cassscale.com.au)

<http://www.cassscale.com.au>

Specifications are subject to change for improvement without prior notice.