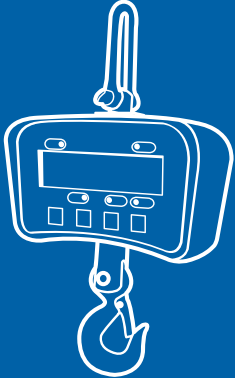


# IE SERIES

Crane Scale



[www.globalcas.com](http://www.globalcas.com)

OWNER'S MANUAL

# CAS

## CONTENTS

<b>SAFETY GUIDE</b> .....	<b>4</b>
<b>PRECAUTION</b> .....	<b>4</b>
<b>PRODUCT CHARACTERISTICS</b> .....	<b>5</b>
<b>SPECIFICATION</b> .....	<b>5</b>
<b>MODEL</b> .....	<b>6</b>
<b>SIZE AND NET WEIGHT</b> .....	<b>7</b>
<b>OPERATION</b> .....	<b>8</b>
<b>ELECTRICAL PRINCIPLE DIAGRAM</b> ...	<b>10</b>
<b>DISPLAY MESSAGE</b> .....	<b>11</b>
<b>TROUBLESHOOTING</b> .....	<b>12</b>
<b>REMOTE CONTROLLER</b> .....	<b>13</b>

# SAFETY GUIDE

**Read carefully the following instruction and advice before using this scale.**

- Over-loading this scale is harshly prohibited
- Refrain from long-time loading that could lead to excessive fatigue on loadcell used inside the scale. Excessive fatigue that on loadcell would decrease the accuracy and shorten the life of scale.
- Check the shackle and hook regularly.
- Check the battery power level before/after use and recharge the scale in time.
- In order to maximize the battery life, periodic recharging is necessary for scales even not in use for long time.
- Do not try to repair the scale by yourselves.
- Use privately attached charger only.

## PRECAUTION

- The crane scale is a kind of precise weighing instrument, pay attention on operation and maintenance.
- Rotate the load instead of machine itself if necessary for operation.
- Stop using the machine under the circumstances of thunder & rain.
- Check periodically if the clips/pins and screws of the machine are loose or broken before use.
- If low battery signal appears & LED annunciator goes green while charging, please check the battery.
- Hang the machine in a safe place for storage while not in use in order to prevent from unnecessary load in the weight sensor inside.
- Do not subject the scale to sudden temperature changes.
- Avoid from the shock of excessive weight.

# PRODUCT CHARACTERISTICS

Model	Display	characteristics
IE Series	30mm(1.2")LED	High accuracy, small volume, easy to bring
	30mm(1.2")LCD	

- **High quality:** The process management is operated according to OIML R76, GB/T11883-2002, and get the European CE certificate.
- **Safty installation:** Aluminum Die-Casting Case, high intensity hook and shackle, special loadcell for safty installation.
- **High reliability:** Using high quality components on PCB circl board to board to insure long time stability.
- **Broad applicability:** 30mm high character display, 25M distance eyeshot, can be used in storage industry, textile industry, metallurgy industry etc.
- **Simple operation:** Check battry voltage automatically, wireless remote controller, separate battery space, small volume, easy to bring.
- **Complete function:** Kg/Lb conversion, Hold, Tare, Division choice, Stablity regulation, Accumulation/Search, Gross/Net conversion, parameter regulation etc.

# SPECIFICATION

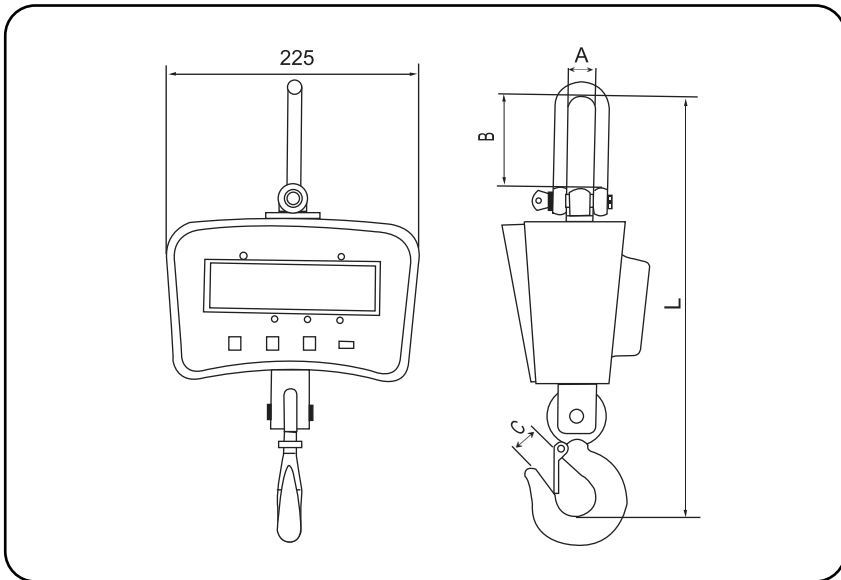
Standard	GB/T11883-2002 《Electrical Crane Scale》
Accuracy class	OIML class III
Display	30mm(1.2") 5digits LCD/LED
Zero Range	4% full capacity
Tare Range	100% Full capacity
Stable Time	≤10 seconds
Overload Indication	100% Max. capacity + 9e
Max. Safety Load	125% Max. capacity
Ultimate Load	400% Max. capacity
Battery Life	≥50 hours
Battery Type	Fully sealed Lead-Acid battery, 6V/5Ah
Adapter	DC9V/1500mA
Operating Temp.	- 10°C ~ + 40°C

<b>Operating Humidity</b>	≤85% RH under 20°C
<b>Remote Controller Distance</b>	Min. 10m
<b>Battery of Remote Controller</b>	5# battery, 1.5V x 2

## MODEL

<b>Model</b>	<b>Max. capacity (kg / lb)</b>	<b>Min. capacity (kg / lb)</b>	<b>Division (kg / lb)</b>	<b>Total display (kg / lb)</b>
<b>IE-100</b>	<b>50/100</b>	<b>0.5/1</b>	<b>0.02/0.05</b>	<b>n=2000</b>
IE-200	100/200	1/2	0.05/0.1	n=2000
IE-500	200/500	2/4	0.1/0.2	n=2500
IE-1000	500/1000	4/10	0.2/0.5	n=2000
IE-2000	1000/2000	10/20	0.5/1	n=2000

## SIZE AND NET WEIGHT



Max.Capacity	L (mm)	A (mm)	B (mm)	C (mm)	Net weight
100kg	335	20	65	20	4.0
200kg	335	20	65	20	4.0
300kg	335	20	65	20	4.0
500kg	360	25	75	20	4.2
1000kg	360	25	75	20	4.2

※ Notice: If there's any modification, all the data are subject to the scale itself.

# OPERATION

## ■ TURN ON

Operation	Display	Illustration
【OFF/ON】	【 8.8.8.8.8 】	Display two times
	【 500.0 】	Display capacity two times
	【 U X.XX 】	Display the voltage of battery
	【 ----- 】	Wait stable signal
	【 0 】	“STB” light, can hang the weight

※ Notice: To guarantee the accuracy, leave scale alone for 3~5 minutes after turning on.

## ■ ZERO

Operation	Display	Illustration
Press 【→0←】 on scale	【 0 】	After turn on, generally display 【 0 】, if not for 【 0 】, Can operate like this
Press 【 ZERO 】 on controller	【 0 】	

## ■ TARE

Operation	Display	Illustration
Press 【→T←】 on scale	【 0 】	Press this key to deduct the weight of Container, while “TARE” light on, the Scale will show the net weight of load
Press 【 TARE 】 on controller	【 0 】	

※ Notice: As crane scale deduct the weight of container automatically, so it will show the net weight of load every time, you needn't press this key to get net weight until you change the container or turn off.

## ※ OVERLOAD WARNING

The display will show 【-OL-】 once the load (Net + Tare) exceeds Max. capacity. Make sure that the load are within the capacity range, otherwise it's very dangerous.

## ■ CHECK BATTERY

Press 【OFF/ON】 on scale, when turn on or turn off, it shows 【U XXX】
Press 【OFF】 on controller 2 seconds
Stable after 15 minute, it show 【     】 , after 60minutes, it turn off automatically.

## ■ HOLD THE WEIGHT READING

Press “HOLD” key on the remote controller to hold the displayed weight reading. At this moment, “HOLD” light on, Press this key again will disable hold function.

## ■ LOW BATTERY WARNING

When the battery voltage lower then 【U 5.8.0】 , the display flash, but the scale can still work until the display show 【-Lb-】 , one minute later; it will turn off automatically, you need to recharge the battery to use again.

## ■ POWER SAVING

The display will show 【     -     】 when the load are at stable status in excess of 15 minutes and revert to normal weighing readings while load changes. When the load are at stable status in excess of 60 minutes, the scale will turn off automatically

## ■ RECHARGING BATTERY

1. Turn off, connect the adapter with 220V AC power supply, also insert the plug in the socket which located in the rear of scale. The light become green, it means it's recharging automatically, until the green light become red, that means recharging is finished.
2. When you need to use crane scale hour after hour, take off the rear cover, change the battery with recharged battery.

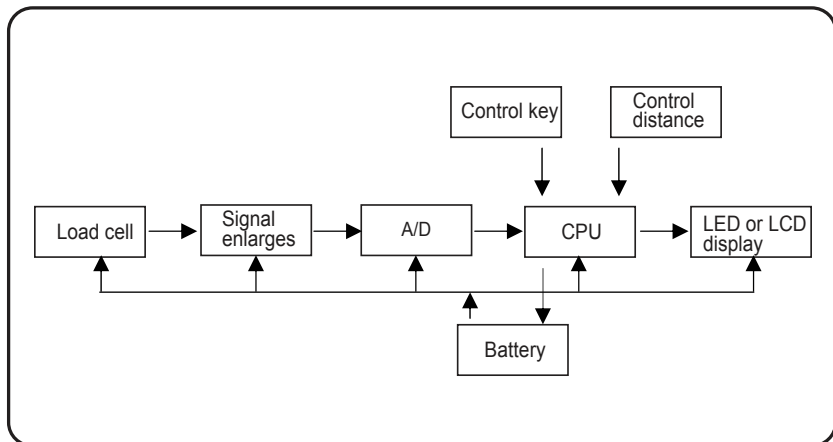
**Attention :** Generally, the time of recharging should not lower than 8 hours, this scale have recharging protection function, long time recharging will not damage the battery.

## ■ TURN OFF

Press 【OFF/ON】 on scale 2 seconds
Press 【OFF】 on controller 2 seconds
Stable after 15minutes, it show 【     】 , after 60minutes, it turn off automatically.



## ELECTRICAL PRINCIPLE DIAGRAM



## DISPLAY MESSAGE

Display	Illustration
【 -----】	Waiting stable
【 Err10】	Accumulated weight not exceed Min. Capacity
【 Err11】	Accumulated times exceed, (can't accumulate after 30times)
【 Err12】	Accumulated weight exceed (can't accumulate after 99999)
【 CLr】	Ask if you really want to delete accumulated weight, in case error deletion
【 noCLr】	Give up deletion
【 88888】	Confirm deletion
【 noACC】	No any accumulated value (when you check)
【 SHIFt】	Conversion, when you press SHIFT in controller
【 UX.XX】	The voltage of current battery
【 SCALE】	Enter weight adjustment
【 SEtUP】	Enter parameter adjustment
【 UAdJ】	Enter voltage adjustment
【 -OL-】	Overload warning
【 -Lb-】	Low battery warning
【 End】	End, when parameter adjustment ready
【 OFF】	Turn off

## TROUBLESHOOTING

Phenomenon	Reason	Solution
No display when Turn on	Battery damaged	Check battery
	Battery contact loosed	Tighten the contact
Display flash	Low battery Min.Capacity	Recharge the battery
Can't trun on & off	【OFF/ON】 Abuttun damaged	Check & clean the buttun
Can't tare	【TARE】 Abuttun damaged	Check & clean the buttun
Recharge indicator Light can't turn on	The recharger damaged	Check the recharger
	The recharger isn't plugged ready	Insert plug again
Display isn't stable	The load is unstable	Stablize the load
	Loadcell cable damaged	Check and replace loadcell
	The scale in damp Environment for a long time	Put the scale in dry Environment
The display don't show "0" when empty load	No enough time for heating the scale after turn on	After turning on, heating 3-5 minutes.
	Put the scale on ground for too long time	Scale should be hung
The error is large	The scale isn't hung properly	Check the scale and sling
Battery can't recharge	Battery damaged	Replace battery
	Outlet damaged	Replace the outlet
Remote distance shorten	Receiver window is too dirty	Check and clean
	Low battery of controller	Replace controller battery

# REMOTE CONTROLLER GUIDE

- Lightness of display

Operation	Illustration
【F1】	0~5, 0: no display, 1: Minimum light, 5: Maximum light (Default: 2)

- ZERO

Operation	Illustration
【ZERO】	display [ 0 ] when no load, "ZERO" light on

- HOLD

Operation	Illustration
【HOLD】	Hold the weight, "HOLD" light on
【HOLD】	Convert to weighing situation, "HOLD" light off

- TARE

1. Tare directly

Operation	Illustration
【TARE】	Display show net weight, "TARE" light on
【TARE】	Display show gross weight, "TARE" light off

2. Set tare weight in advance

Operation	display	Illustration
【 MR 】	【SHIFT】	
【TARE】	【00000】	Current tare weight
	【 **** 】	Input the tare weight
【 MR 】	【 - *** 】	Exit, "TARE" light on, it will deduct tare weight automatically when weighing.

■ ACCUMULATION

Operation	display	Illustration
【 M+ 】	【No***】	Current accumulation times
	【H****】	Rear four digit of current accumulated value
	【L****】	Front four digit of current accumulated value

**Attention:** After display two times circlely, it will return to weigh situation automatically, you also can press MR to return directly.

■ SEARCH

Operation	display	Illustration
【 MR 】	【No***】	Current accumulation times
【 M+ 】	【*****】	Current weight
	【H****】	Rear four digit of current accumulated value
	【L****】	Front four digit of current accumulated value
【 MR 】	【 0 】	Return to weigh

**Attention:** Press 【TARE】 and 【→0←】 can search every time weight and accumulated value, press 【 MR 】 return.

■ CLEAR

Operation	display	Illustration
【CLEAR】	【 CLr 】	Display blink, please confirm if you want to delete Accumulated value
【CLEAR】	【noCLr】	Cancel deletion
【 MR 】	【88888】	Confirm deletion

■ ZERO DISPLAY

Operation	display	Illustration
【 MR 】	【SHIFT】	
【→0←】	【 ***】	Display current zero value

■ KG/LB CONVERSION

Operation	display	Illustration
【 MR 】	【SHIFT】	Un = 0 : kg “lb” light off
【CLEAR】	【Un= *】	Un = 1 : kg “lb” light on,

■ SEARCH OVERLOAD TIMES

Operation	display	Illustration
【 MR 】	【SHIFT】	
【CLEAR】	【OL=**】	Display times of overload

■ VOLTAGE DISPLAY

Operation	display	Illustration
【 MR 】	【SHIFT】	
【 F1 】	【U X.XX】	Display show current voltage of the battery
【 MR 】	【 0】	Return to weigh

■ TURN OFF

Operation	display	Illustration
【OFF】	【 OFF 】	
	【U X.XX】	Display show current voltage of battery then turn off

# **IE** SERIES

Crane Scale



CAS BLDG., # 440-1, SUNGNAE-DONG,  
GANGDONG-GU, SEOUL, KOREA

TEL\_ 82 2 2225 3500

FAX\_ 82 2 475 4668

[www.globalcas.com](http://www.globalcas.com)