



Rechargeable Battery



Check weighing function



High weighing performance

# PR-C SERIES

## Counting Scale

PR-C can be used any where due to its highly qualified performance and it is suitable for use in parts production.

- High-Resolution Weighing - External Resolution:1/30,000
- High brightness LED display
- Check-Weighing function(HI/OK/LO)



# PR-C SERIES | Counting Scale



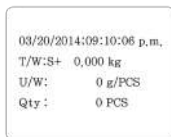
## High weighing performance

The counting scale can handle a maximum weight of 30kg providing accuracy that measures to 0.1g precision.

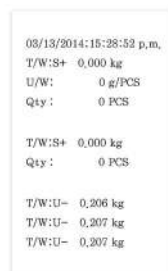
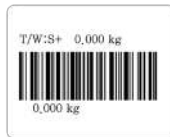


## Compatible with Label and Ticket printer

PR-C can be connected with label or ticket printer for printing useful information such as weight, date and quantity.



<Label Printer>



<Ticket Printer>

## Check Weighing function(HI/OK/LO)

PR-C will indicate whether the actual weight of the loaded items is out of the present range with alarm beep sounds.



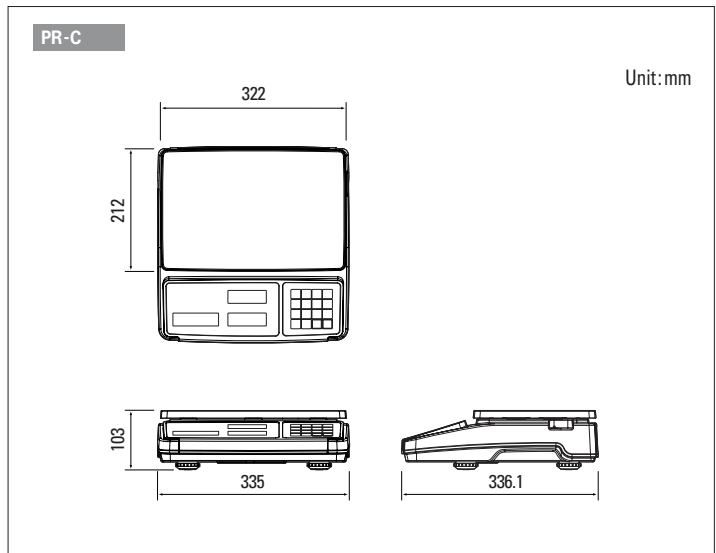
## FEATURES

- High resolution(1/30,000)
- Counting and percentage comparison function (HI/OK/LO) with alarm beeps
- RS-232C interface(PC/PRINTER)
- Rechargeable battery

## SPECIFICATIONS

| Model                 | PR-C                                     |       |        |        |
|-----------------------|--|-------|--------|--------|
| Max.capacity(g)       | 3,000                                    | 6,000 | 15,000 | 30,000 |
| Readability(g)        | 0.1                                      | 0.2   | 0.5    | 1      |
| External resolution   | 1/30,000                                 |       |        |        |
| Internal resolution   | 1/600,000                                |       |        |        |
| Display type          | LED                                      |       |        |        |
| Weight units          | kg, g, lb, oz                            |       |        |        |
| Operating temperature | 0°C ~ 40°C                               |       |        |        |
| Power                 | AC 220~240, 50/60Hz<br>Pb Battery 6V/4Ah |       |        |        |
| Battery life          | 100hrs                                   |       |        |        |
| Dimensions (mm)       | 335(W)x336.1(D)x103(H)                   |       |        |        |
| Platter size (mm)     | 322(W)x212(D)                            |       |        |        |
| Product Weight (kg)   | 3.5                                      |       |        |        |

## DIMENSIONS



# CAS

UNIT 8, NORTHLINK, 459 TUFNELL ROAD  
BANYO QLD 4014, AUSTRALIA  
TEL : +61 7 3267 7767 FAX : +61 7 3267 1818  
EMAIL : [sales@cassscale.com.au](mailto:sales@cassscale.com.au)  
[www.cassscale.com.au](http://www.cassscale.com.au)

Specifications are subject to change for improvement without prior notice.