

WBK SERIES



Truck and tank - Load Cell 10t / 25t / 50t

- Stainless Steel
- Lightning protected
- EX ia IIC T6
- Hermetically Sealed



TRADE
APPROVED

IP68
Dust proof and
water-protected

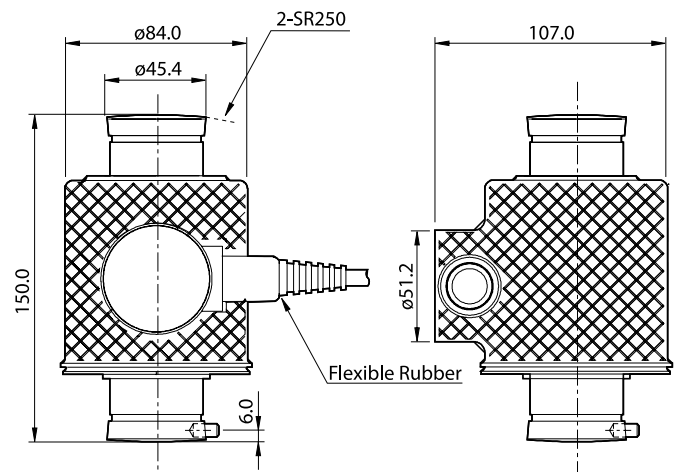


Technical Specifications

Max Capacity (rated load)	kgf	10t, 25t, 50t
Rated Output	mV / V	2.0 ± 0.005
Zero Balance	mV / V	0.0 ± 0.020
Accuracy Class	-	C3
Combined Error	% R.O.	0.02
Repeatability	% R.O.	0.01
Creep for 30min.	% R.O.	0.017
Resolution	-	≤1/5000
Division	mV/V	0.0004
Temperature Effect on - Zero Value	%/10 °C	0.014
Temperature Effect on - Output Value	%/10 °C	0.011
Excitation - Recommended	V	10
Excitation - Maximum	V	15
Resistance - Input	Ω	350 ± 3.5
Resistance - Output	Ω	350 ± 3.5
Resistance - Insulation	MΩ	> 2000
Compensated Temperature Range	°C	-10 to +40
Operating Temperature Range	°C	-40 to +70
Safety Overload	% R.L	150%
Cable Specification	-	ø8 x 4p x 10M, ø8 x 4p x 25M (P.V.C), ø8 x 6p x 12M (Urethane)

Dimension

Unit in mm



Options

- Accessory set (TW)

CAS

UNIT 8, NORTHLINK, 459 TUFNELL ROAD
BANYO QLD 4014, AUSTRALIA

TEL: +61 (0)7 3267 7767 FAX: +61 (0)7 32 67 1818

EMAIL: sales@cassscale.com.au

<http://www.cassscale.com.au>

Specifications are subject to change for improvement without prior notice.