

ACC SERIES

Coin Counting Scale

The Atronics ACC is an economical pre-programmed coin counting scale where ease-of-use is not sacrificed for accuracy. With a choice of two capacities 6kg x 0.1g or 30kg x 0.5g and a rechargeable battery that provides up to 24 hours of continuous usage, this durable coin counting scale offers tremendous power and virtually unlimited flexibility. Its bright blue LCD display is highly visible in low light areas.

- High Accuracy 6 kg x 0.1g, 30 kg x 0.5 g
- Pre-programmed denominations weight and easy to use
- Accumulate coin or token information of the same denomination
- Large Display with Blue Backlight
- Built-in Rechargeable Battery



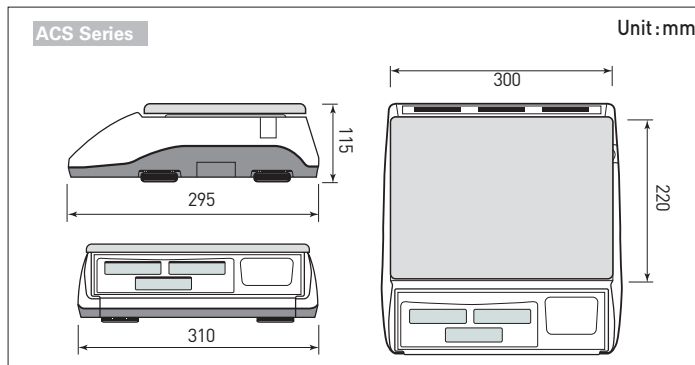
ACC SERIES | Coin Counting Scale



SPECIFICATIONS

| Model | ACC Series | |
|---------------------|------------------------------|-----|
| Max. Capacity (kg) | 6 | 30 |
| Division (g) | 0.1 | 0.5 |
| External Resolution | 1/60,000 | |
| Internal Resolution | 1/600,000 | |
| Display Type | LCD Display | |
| Operation Temp. | 0oC ~ 40oC | |
| Tare Range | Full Capacity by subtraction | |
| Power | DC9 V / 700 mA | |
| Platter Size (mm) | 300 (W) × 220 (D) | |
| Dimensions (mm) | 310 (W) × 295 (D) x 115 (H) | |
| Product Weight (kg) | 4.5 | |

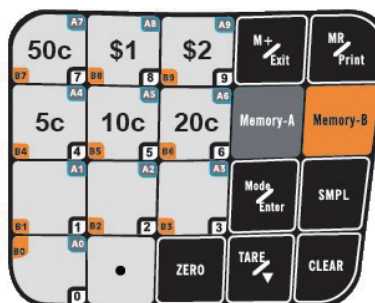
DIMENSIONS



FEATURES

- Internal Counting resolution of 1/600,000
- Bright blue Liquid Crystal Display (LCD)
- Coin counting, simple weighing, accumulation
- Accumulate coin or token information of the same denomination
- Rechargeable battery operation
- 20 preset keys for presetting denomination and unit weight
- Stainless steel platform
- Security password to protect the memory information

KEY PAD



UNIT 8, NORTHLINK, 459 TUFNELL ROAD
 BANYO QLD 4014, AUSTRALIA
 TEL: +61 (0)7 3267 7767 FAX: +61 (0)7 32 67 1818
 EMAIL: sales@cassscale.com.au
<http://www.cassscale.com.au>

Specifications are subject to change for improvement without prior notice.

